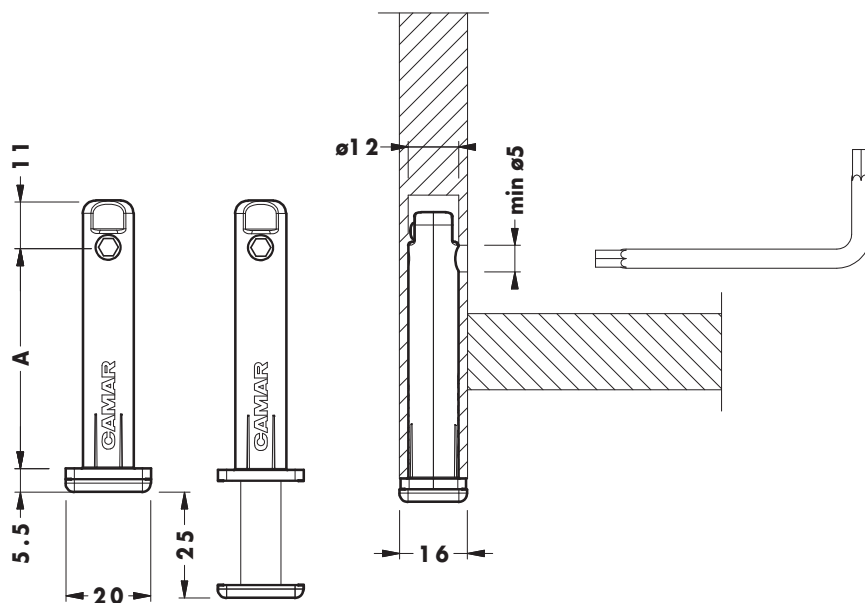
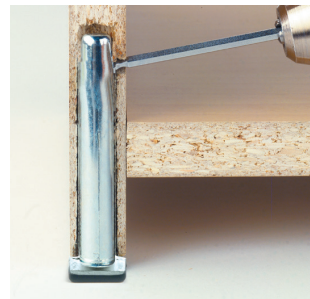


306 □ Z0 12 02

- 02 = 25 *
 - 03 = 32 *
 - 04 = 44
 - 05 = 52
 - 07 = 70
 - 10 = 100
 - 12 = 120
- Amm**



| | | | | | |
|---------|--------------|---------|--------------|-------------|--------------|
| Amm 25= | +10mm 0mm | Amm 32= | +18mm 0mm | Amm 44-120= | +25mm 0mm |
| Ø12mm | | 4 | 300 Kg | 150 Kg | |
| ZAMAK | PP | LGA | | | |
| 100 | 4800 | 800 | | | |
| * 200 | | | | | |



| | | | |
|---|--|---|---------|
| 9 | | 4 | 809 |
| | | | 638-641 |

| | | | |
|---|--|-----------------|-----|
| 9 | | 306 02 AL MA 00 | 616 |
|---|--|-----------------|-----|