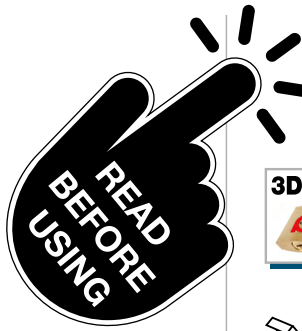


# 704 15 ZV VI



DX  
SX

**New**

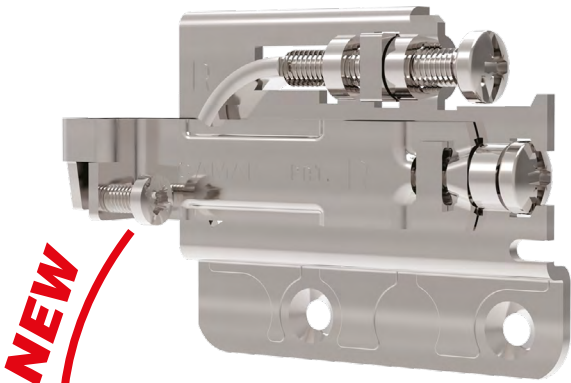


**FOR YOUR SAFETY WARNING**

[www.camar.it/warning](http://www.camar.it/warning)

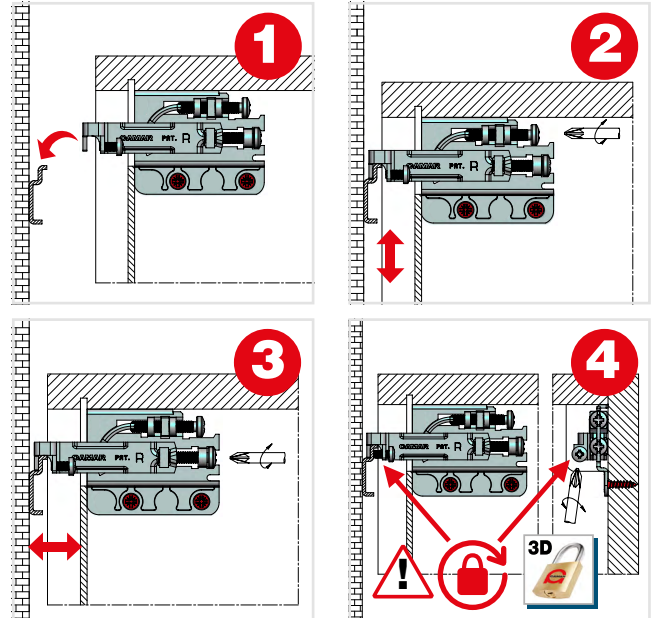
3D 12 mm 19 mm Fe

200 6000 1200



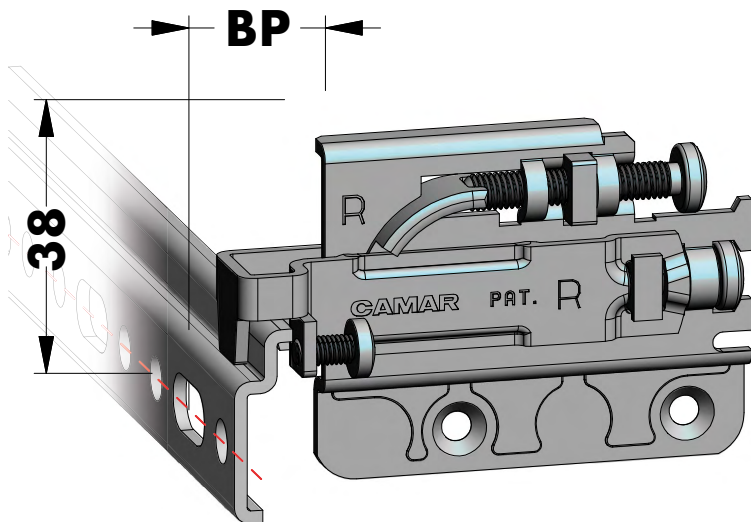
**NEW**

**875 AS**



After assembly, verify that the anti-drop system has been activated.

Verificare dopo il montaggio l'avvenuta attivazione del sistema antigancio.



**9** **BRACKET** **PLATE** **BP** 17mm

875 AS Z1 00 47 674  
 875 AS Z1 00 60 674  
 875 AS Z1 674-675  
 875 AS Z1 20 32 675

**9** **801 00** 627