

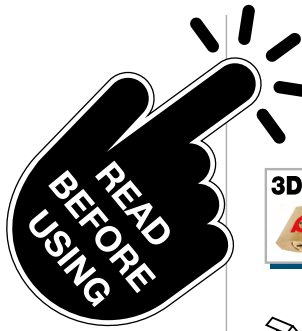
704 15 ZV IN



DX
SX



New



FOR YOUR SAFETY WARNING

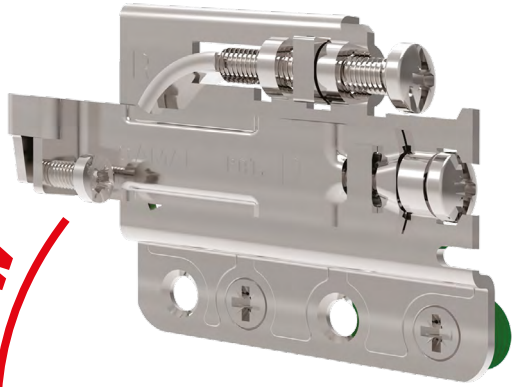
kg ?

www.camar.it/warning

3D	12mm	19mm		Fe	PA6
----	------	------	--	----	-----

200	6000	1200
-----	------	------

NEW

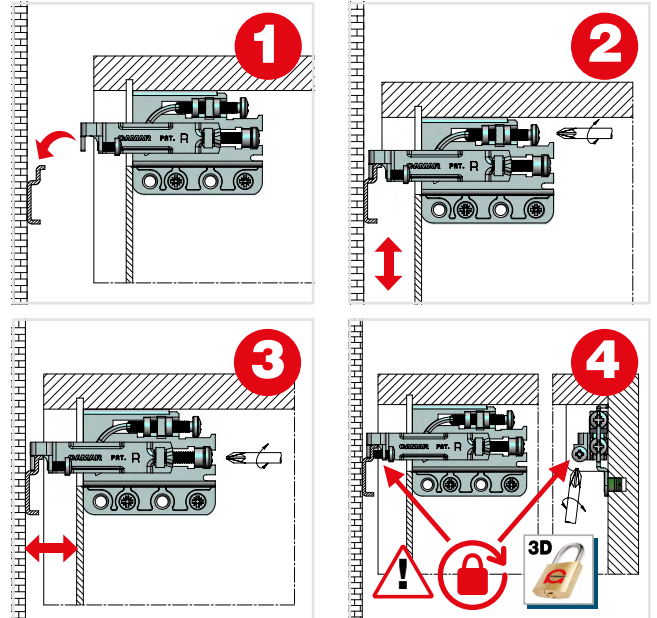


875 AS

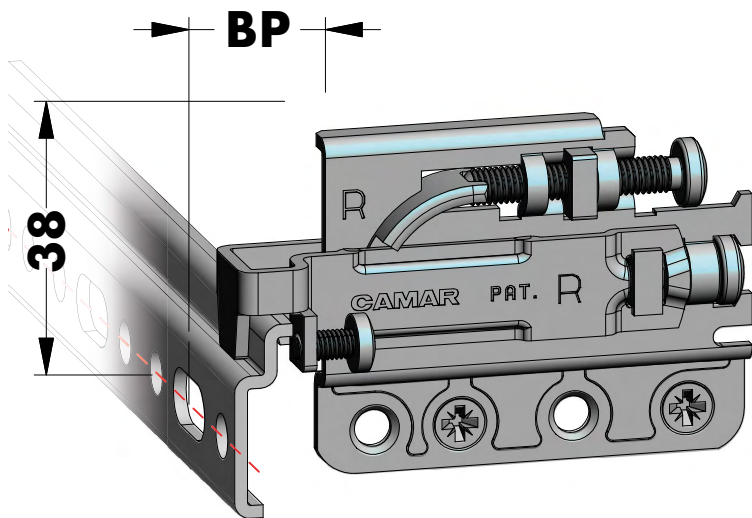
+



=



- After assembly, verify that the anti-drop system has been activated.
- Verificare dopo il montaggio l'avvenuta attivazione del sistema antigancio.



	875 AS Z1 00 47 674
	875 AS Z1 00 60 674
	875 AS Z1 □ □ 674-675
	875 AS Z1 20 32 675

	801 00 P2 AP 00 626
	807 00 P2 MA 00 630

	801 00 □ 00 □ 627
--	--------------------------