

# 555 □ □ R5 04

10 C1  
 12 ST  
 15 TG  
**H<sub>cm</sub>** 11  
 19  
 64  
 71



□ 50mm

+10mm  
 0mm



1



120



24

4 x



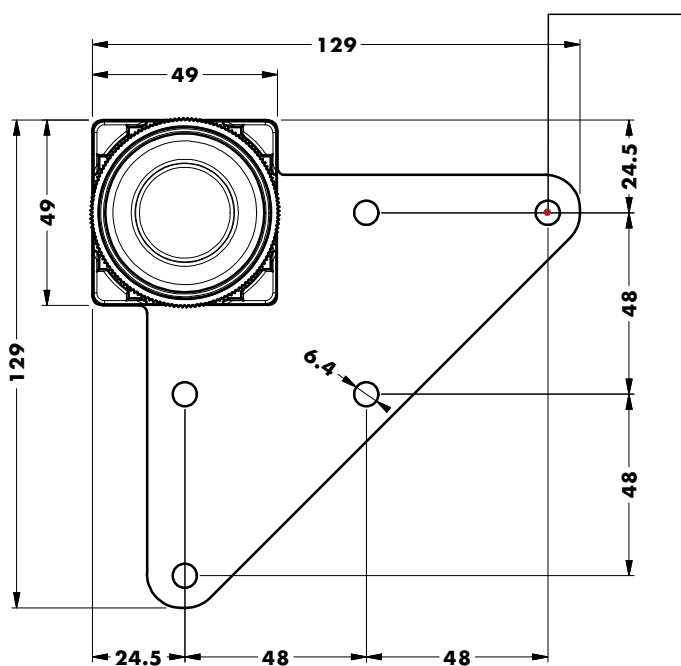
4 x



4 x



1 x



5x  
 Ø 4 mm

