

450 □ P2 0Z 02

- 09
 - 10
 - 11
 - 12
 - 13
 - 14
 - 15
 - 16
- Hcm

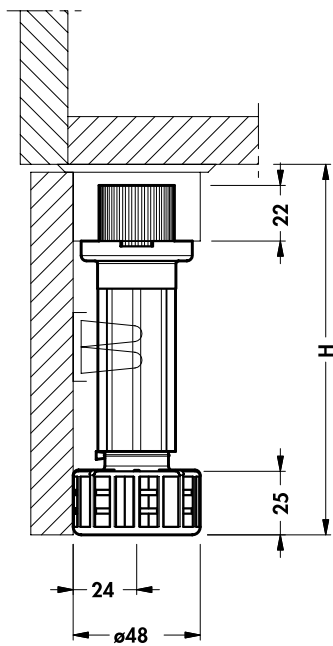


+20mm -5mm			Ø28mm
---------------	--	--	-------

	ABS
--	------------

800 Hcm 10-12-15

1600 Hcm 09-11-13-14-16



2			840	840 00 P2 H5 00
				840 00 P2 H5 □
				840 00 P2 N0 00
				840 00 P2 N9 00
				840 00 P2 W3 00
				840 00 P2 W6 00
				H 9

2			840
			H 10-16

9		202	203	204	225
		H 12-16	H 10-16	H 12-16	

226	228	230	235
H 10-16	H 10-16		