

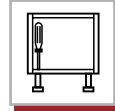
423 □ P2 1Z 02

- 09
- 10
- 11
- 12
- 13
- 14
- 15
- 16

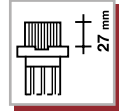
H_{cm}



+15mm
0mm

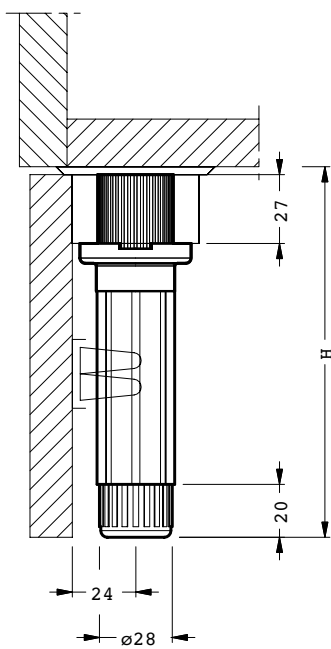


Ø28mm



ABS

3000



2			840 181-219
---	--	--	-----------------------

9		202 600 H 11-16	203 601 H 12-16	204 602 H 12-16	225 606 H 12-16
---	--	------------------------------	------------------------------	------------------------------	------------------------------

226 607-609	228 611	230 612-613	235 614
-----------------------	-------------------	-----------------------	-------------------