

# 418 □ P2 □ 02

- 10 ●
  - 11 ●
  - 12 ●
  - 13 ●
  - 14 ●
  - 15 ▲
  - 16 ▲
  - 17 ▲
  - 18 ▲
  - 19 ▲
  - 20 ▲
- H**cm



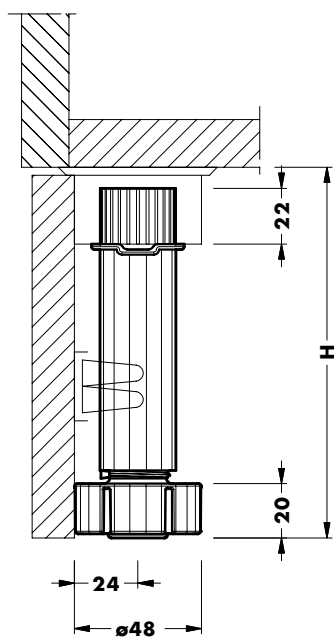
+60mm -5mm				Ø28mm
	<b>ABS</b>			

800



OZ ●

MZ ▲



2			<b>840</b>	<del>840 00 P2 N0 00</del>	<del>840 00 P2 Q8 00</del>

2			<b>840</b>

2			<b>840 00 P2 H5</b>	187
			<b>840 22 P2 T</b>	204-205
			<b>840 22 P2 X</b>	206-211
H 15-20				

9		<b>202</b>	<b>203</b>	<b>204</b>	<b>225</b>
		H 11-20	H 11-20		

<b>226</b>	<b>228</b>	<b>230</b>	<b>235</b>
607-609	611	612-613	614