

# 415 □ P2 □ 02

- 08 ●
  - 09 ●
  - 10 ●
  - 11 ●
  - 12 ●
  - 13 ●
  - 14 ●
  - 15 ▲
  - 16 ▲
  - 17 ▲
  - 18 ▲
  - 19 ▲
  - 20 ▲
- H<sub>cm</sub>**



+20mm -5mm				Ø28mm
---------------	--	--	--	-------

	<b>ABS</b>
--	------------

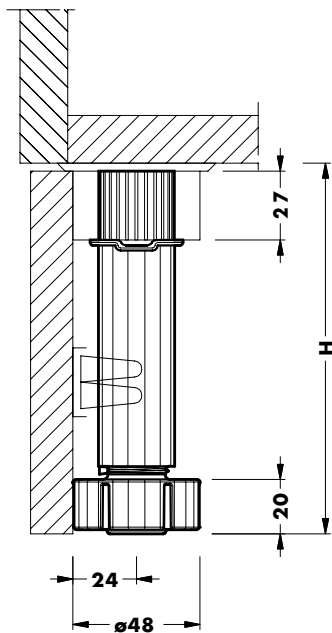
800



1Z ●



SZ ▲



2			<b>840</b>		181-219
			H 8-14		

2			<b>840 27 P2 T □ 00</b>		212-213
			<b>840 27 P2 X □ 00</b>		214-219
			H 15-20		

9		<b>202</b>	<b>203</b>	<b>204</b>	<b>225</b>
		600	601	602	606
		H 11-20	H 9-20	H 12-20	

<b>226</b>	<b>228</b>	<b>230</b>	<b>235</b>
607-609	611	612-613	614
H 9-20	H 9-20		