

801 22 ZV VP

DX
SX

New

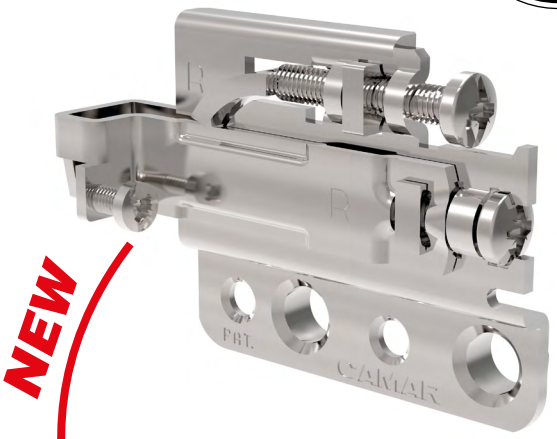
READ BEFORE USING

FOR YOUR SAFETY WARNING

www.camar.it/warning

3D 19mm 22mm Fe

200 6000 1200



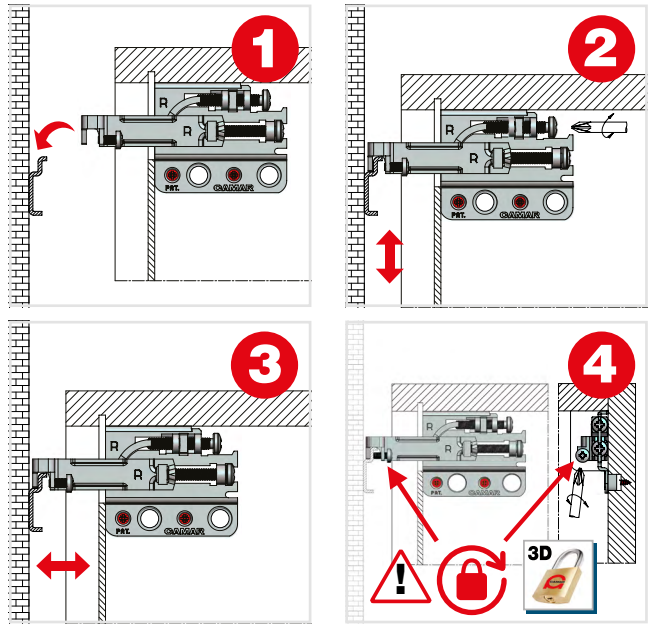
NEW

875 AS

+

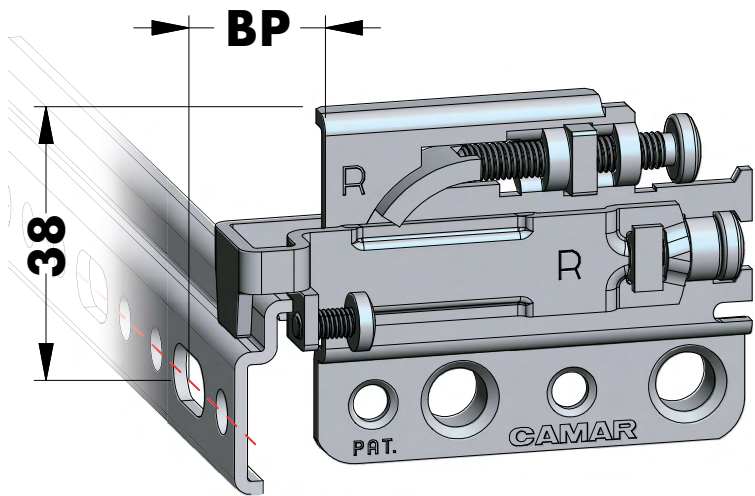


=



3D After assembly, verify that the anti-drop system has been activated.

3D Verificare dopo il montaggio l'avvenuta attivazione del sistema antisgancio.



9		BRACKET	PLATE	875 AS Z1 00 47	674
				875 AS Z1 00 60	674
				875 AS Z1 □ □	674-675
				875 AS Z1 20 32	675
		BP	17mm		

9		801 00 □ 00 □	627
---	--	---------------	-----